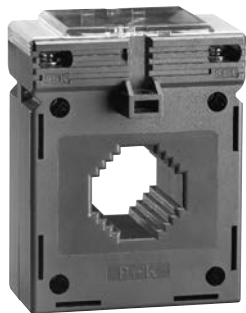
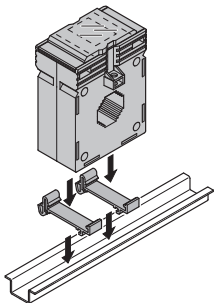
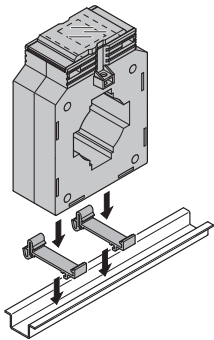
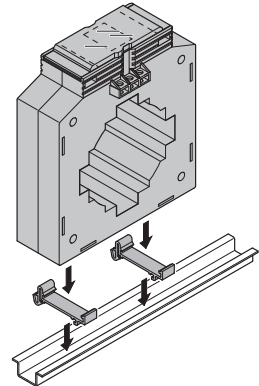
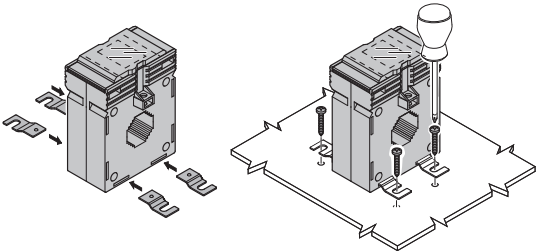
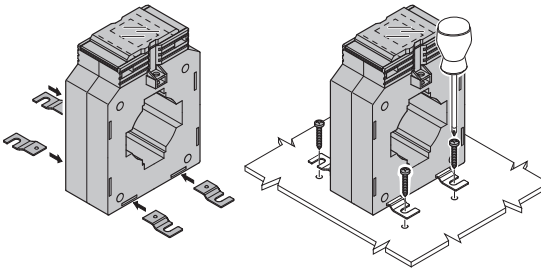
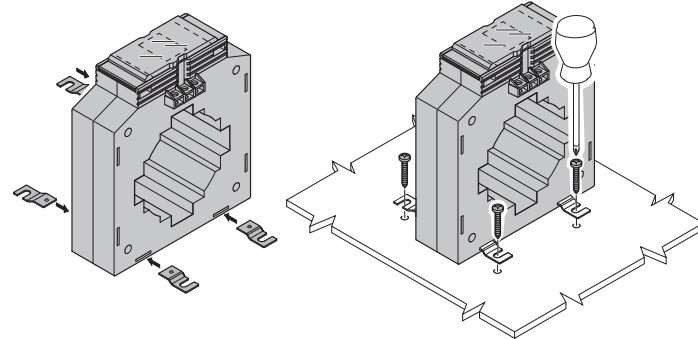
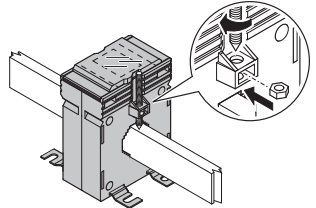
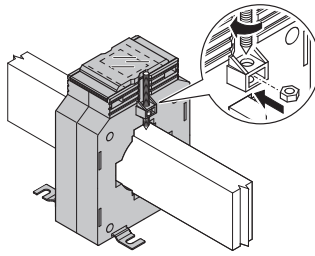
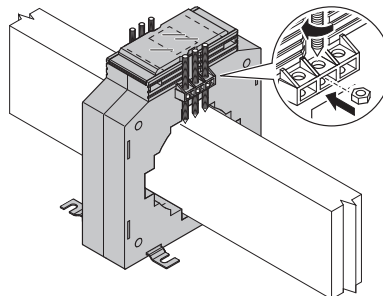



LOVATO ELECTRIC S.P.A.

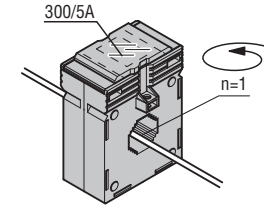
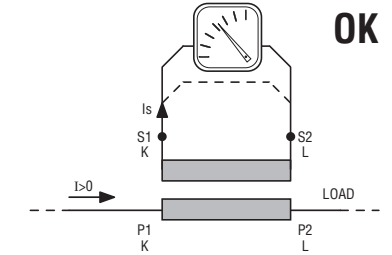
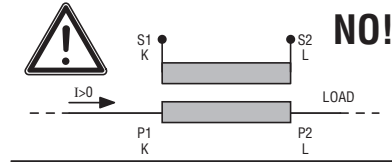
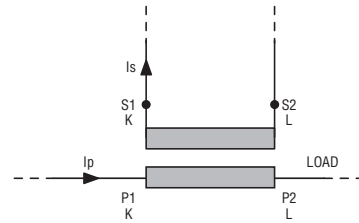
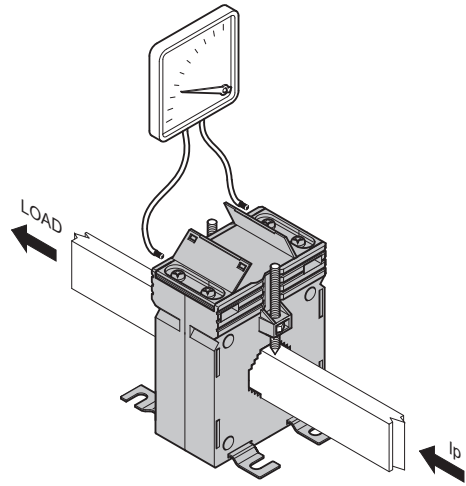
 24020 GORLE (BERGAMO) ITALIA
 VIA DON E. MAZZA, 12
 TEL. 035 4282111
 TELEFAX (Nazionale): 035 4282200
 TELEFAX (International): +39 035 4282400
 E-mail info@LovatoElectric.com
 Web www.LovatoElectric.com


- ① TRASFORMATORE DI CORRENTE - TIPO A FORO PASSANTE
- ② CURRENT TRANSFORMER - SOLID CORE TYPE
- ③ STROMWANDLER - AUFSTECK-TYP
- ④ TRANSFORMATEUR D'INTENSITE - TYPE A PASSAGE
- ⑤ TRANSFORMADORE DE CORRIENTE - TIPO PASANTE

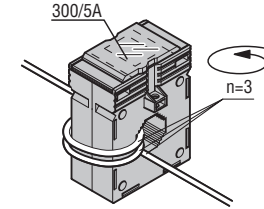
DM1TP... - DM3TP... - DM5TP...


DM1TP...	DM3TP...	DM5TP...
		
		
		

DM...TP...

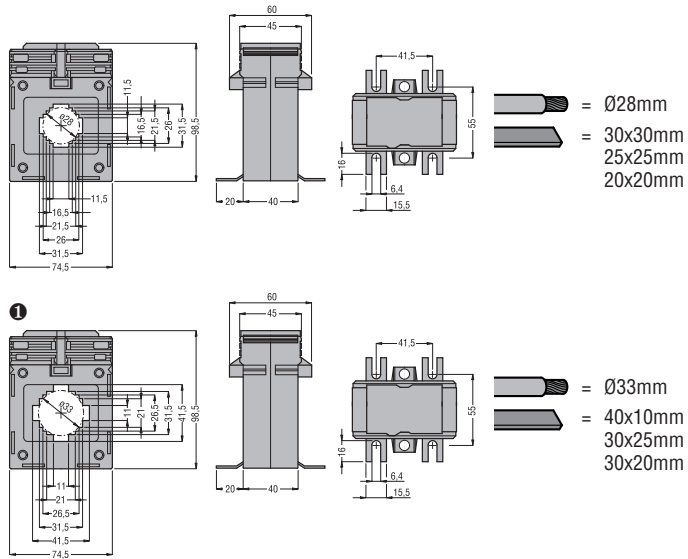


300:n/5A
300:1/5A=300/5A



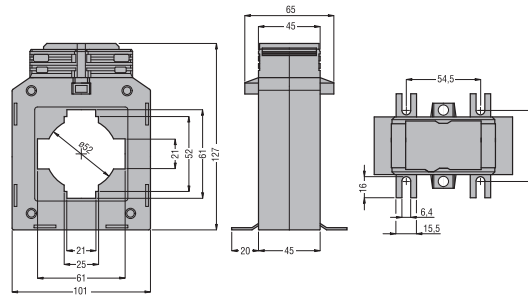
300:n/5A
300:3/5A=100/5A

DM1TP...



	Ip /5 [A]	cl./kl. 0.5s [VA]	cl./kl. 0.5 [VA]
DM1TP 0060	60	1.5	1.5
DM1TP 0080	80	2.5	2.5
DM1TP 0100	100	2.5	3.75
DM1TP 0150	150	2.5	3.75
DM1TP 0200	200	2.5	3.75
DM1TP 0250	250	2.5	5
DM1TP 0300	300	2.5	5
DM1TP 0400	400	5	5
DM1TP 0500	500	5	5

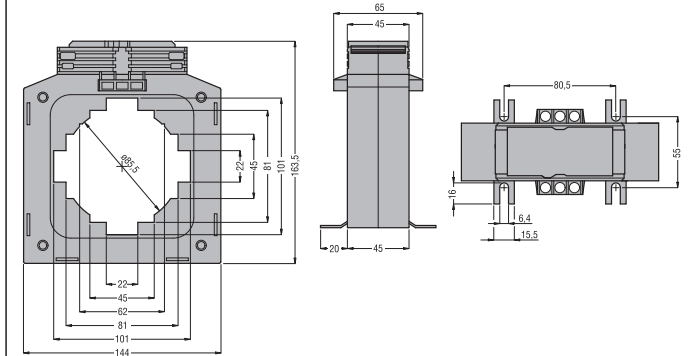
DM3TP...



Ø52mm
60x20mm
50x25mm

	Ip /5 [A]	cl./kl. 0.5s [VA]	cl./kl. 0.5 [VA]
DM3TP 0500	500	3.75	5
DM3TP 0600	600	5	10
DM3TP 0800	800	5	10
DM3TP 1000	1000	5	10

DM5TP...



Ø86mm
100x20mm
80x45mm

	Ip /5 [A]	cl./kl. 0.5s [VA]	cl./kl. 0.5 [VA]
DM5TP 1000	1000	5	10
DM5TP 1250	1250	7.5	10
DM5TP 1600	1600	7.5	10
DM5TP 2000	2000	10	15
DM5TP 2500	2500	10	15
DM5TP 3000	3000	10	15